

Drq No :- C 43797

# INSTALLATION DRAWING

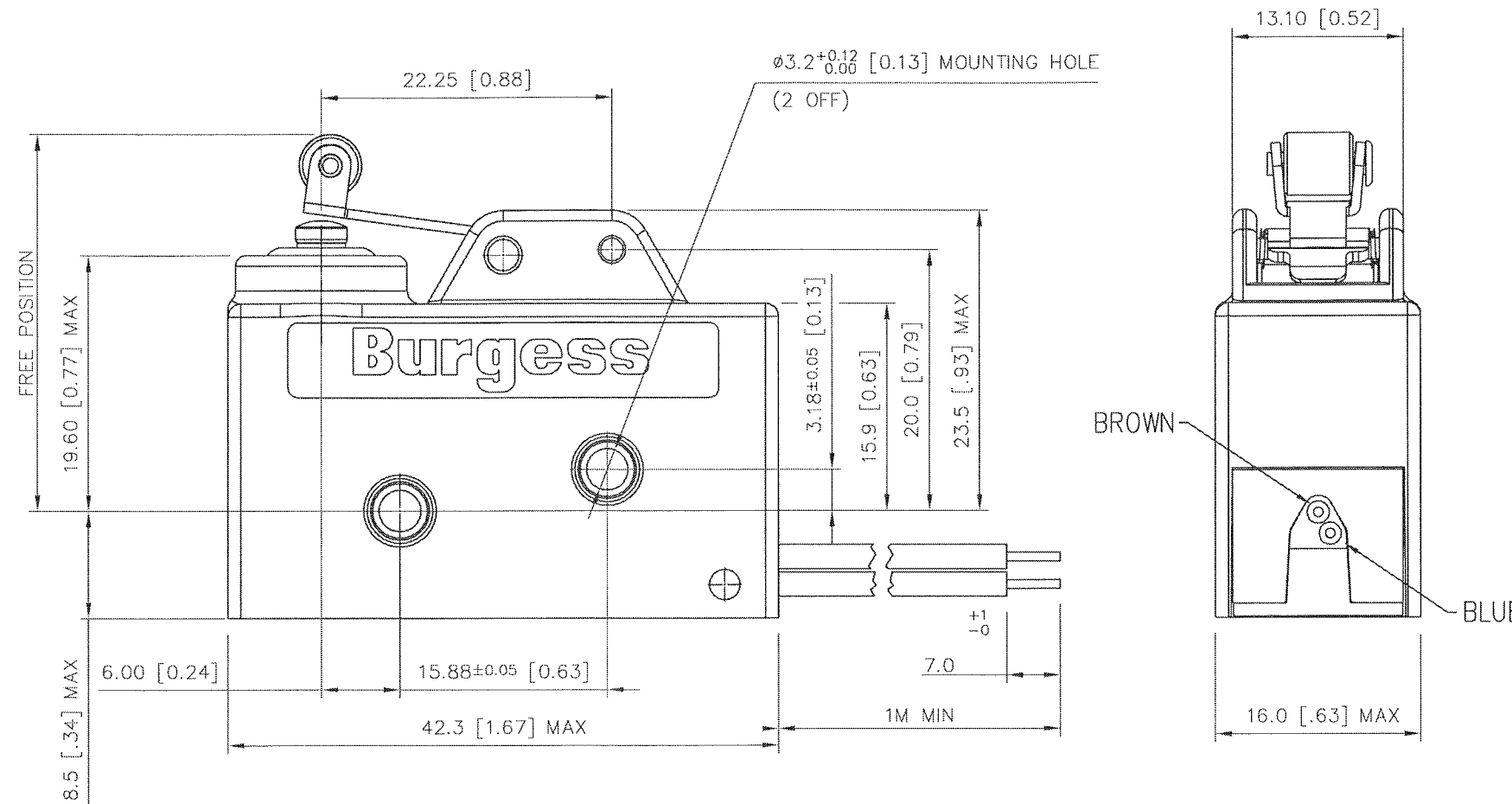
| ISSUE | REVISION    | DATE     |
|-------|-------------|----------|
| 1     | FIRST ISSUE | 08/06/00 |

## SPECIFICATION

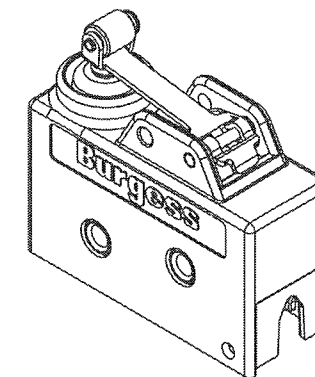
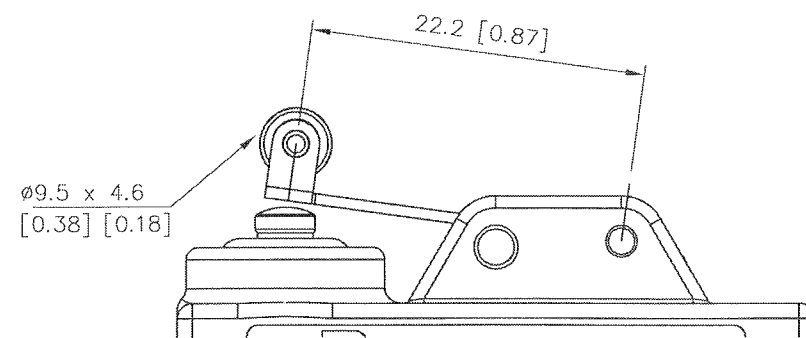
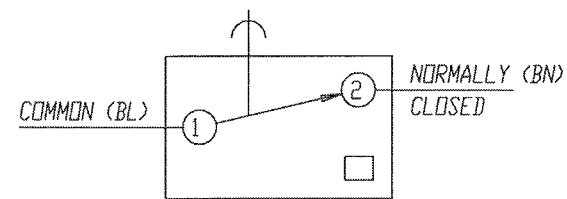
ACTUATING FORCE:- 2.7N (9.7ozf) MAX  
 FREE POSITION:- 31.00 (1.220) MAX  
 CONTACT GAP AT TOTAL TRAVEL POSITION:- 3.00 (0.118)  
 TOTAL TRAVEL FORCE:- 4.2 (15.1) MAX  
 TOTAL TRAVEL:- DEPRESS TO CASE

## CABLE DETAILS

UL/CSA APPROVED PVC FLEXIBLE CABLE 34/0.18 (2.13 O/D)



## DIAGRAM OF CONNECTIONS

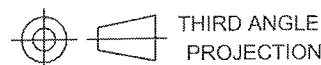


21 JUN 2000

**SAIA-Burgess Electronics**

SWITCHES • MOTORS • CONTROLLERS

SAIA-Burgess Electronics Limited  
 Dukesway, Team Valley Trading Estate  
 Gateshead, Tyne & Wear NE11 0UB  
 Tel: (0191)4016100, Fax: (0191)4016322



THIRD ANGLE PROJECTION

DO NOT SCALE !

THIS DRAWING MUST ONLY BE AMENDED ON A CAD SYSTEM

ALL DIMENSIONS SPECIFIED IN MILLIMETRES

TOLERANCES UNLESS STATED:-

NO DECIMAL PLACE ±0.50  
 1 DECIMAL PLACES ±0.25  
 2 DECIMAL PLACES ±0.15  
 ANGULAR ±1°

APPROVED

|       |          |                   |                    |
|-------|----------|-------------------|--------------------|
| DRAWN | A. BOURN | DRAWING OFFICE    | <i>ab</i>          |
| DATE  | 08.06.00 | ENGINEERING       | <i>[Signature]</i> |
| SCALE | 2:1      | QUALITY ASSURANCE | <i>[Signature]</i> |

TITLE / DESCRIPTION

V9BLRH2

Drq No :- C 43797

A3